



# 2000W INDUCTION HEATER

MODEL NO: VS230.V4

Thank you for purchasing a Sealey product. Manufactured to a high standard, this product will, if used according to these instructions, and properly maintained, give you years of trouble free performance.

**IMPORTANT:** PLEASE READ THESE INSTRUCTIONS CAREFULLY. NOTE THE SAFE OPERATIONAL REQUIREMENTS, WARNINGS & CAUTIONS. USE THE PRODUCT CORRECTLY AND WITH CARE FOR THE PURPOSE FOR WHICH IT IS INTENDED. FAILURE TO DO SO MAY CAUSE DAMAGE AND/OR PERSONAL INJURY AND WILL INVALIDATE THE WARRANTY. KEEP THESE INSTRUCTIONS SAFE FOR FUTURE USE.



Refer to instructions



Wear eye protection



Wear protective gloves



Electrical shock hazard



Warning: magnetic field



Do not use in the vicinity of a pacemaker



Keep away from rain

## 1. SAFETY

### 1.1. ELECTRICAL SAFETY

- WARNING!** It is the user's responsibility to check the following:
- ✓ Check all electrical equipment and appliances to ensure that they are safe before using. Inspect power supply leads, plugs and all electrical connections for wear and damage. Sealey recommend that an RCD (Residual Current Device) is used with all electrical products.
- Electrical safety information.** It is important that the following information is read and understood:
- ✓ Ensure that the insulation on all cables and on the appliance is safe before connecting it to the power supply.
- ✓ Regularly inspect power supply cables and plugs for wear or damage and check all connections to ensure that they are secure.
- Important:** Ensure that the voltage rating on the appliance suits the power supply to be used and that the plug is fitted with the correct fuse.
- ✗ **DO NOT** pull or carry the appliance by the power cable.
- ✗ **DO NOT** pull the plug from the socket by the cable.
- ✗ **DO NOT** use worn or damaged cables, plugs or connectors. Ensure that any faulty item is repaired or is replaced immediately by a qualified electrician.

If the cable or plug is damaged during use, switch off the electricity supply and remove from use.

**Ensure that repairs are carried out by a qualified electrician.**

### 1.2. GENERAL SAFETY

- ✗ **DO NOT** touch heating parts with bare hands.
- ✗ **DO NOT** touch live electrical parts or electrodes with bare skin or wet clothing.
- ✗ **DO NOT** operate in the vicinity of containers under pressure, or in the presence of explosive dust, gases or fumes.
- ✗ **DO NOT** cover or stick objects into any of the ventilation holes on the equipment.
- WARNING!** The magnetic fields created by high currents may affect the operation of pacemakers.
- WARNING!** Wearers of vital electronic equipment should consult their Doctor before using Induction heater.
- ✓ Ensure area is adequately ventilated and dry.
- ✓ Ensure ambient temperature is between -10 to 40 °C
- ✓ Avoid using in bright sunshine or rain.
- ✗ **DO NOT** use the machine in an environment where the air is polluted with conductive dust or gases.
- WARNING!** Due to the heat generated by the induction coils blistering of painted surfaces will happen if over heated.

## 2. INTRODUCTION

Mobile induction heater for fast heat delivery. Install appropriate coil and place over or around ferrous metal. Ideal for loosening stubborn and seized fixings. Supplied with special dent induction block for panel expansion and induction pad for plastic trim/sticker removal. Induction element delivers high heat fast and effectively. Supplied in storage case.

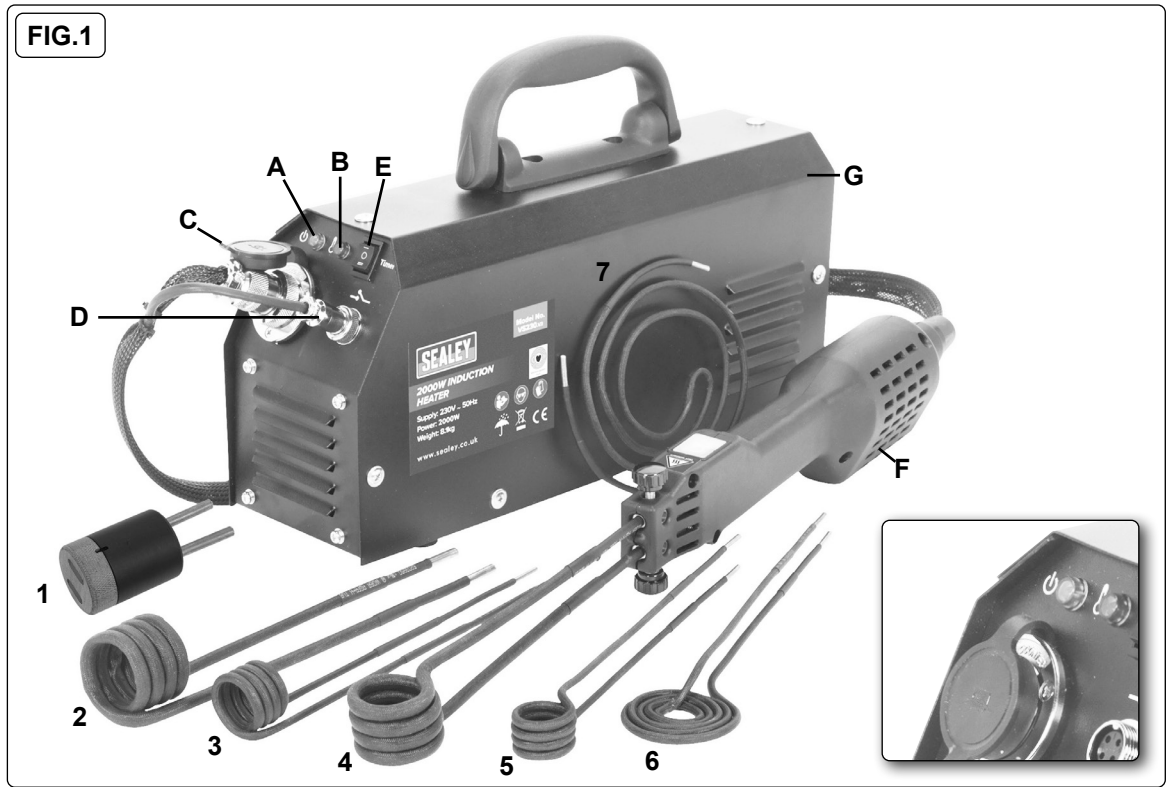
## 3. SPECIFICATIONS

Model No:..... **VS230.V4**  
 Supply:.....230V  
 Frequency:.....50/60Hz  
 Power:.....2000W  
 Duty Cycle:.....15%  
 Output:.....16V/60A/100kHz  
 VS2303:.....Direct Coil - Ø20mm

VS2305:.....Direct Coil - Ø30mm  
 VS2304:.....Side Coil - Ø20mm  
 VS2306:.....Side Coil - Ø30mm  
 VS2309:.....Pad Coil - Ø55mm  
 VS2310:.....Flex Coil - 920mm  
 VS2311:.....Ø29mm Induction Adaptor

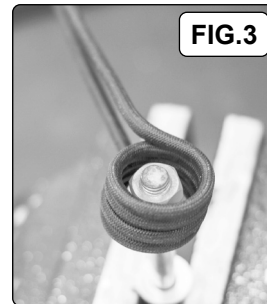
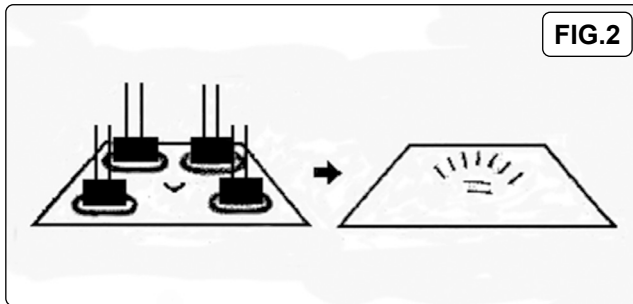
The duty-cycle is the number of minutes, expressed as a percentage, the machine can operate within a ten minute period without overheating. The duty-cycle varies according to the output current.

**FIG.1**



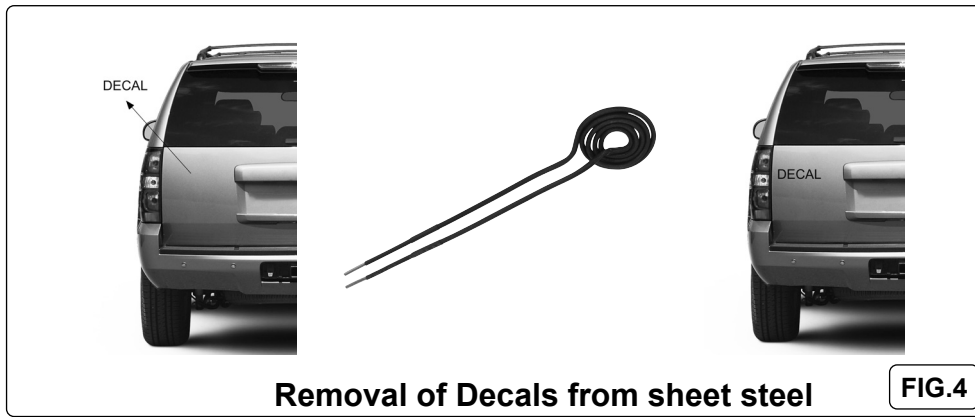
**3.1. DESCRIPTION OF CONTROLS**

- A) Power pilot light (green)
- B) Over heated pilot light (red)
- C) Output connector - for torch power
- D) Output connector - for torch control
- E) Timer Control:  
 Select '-' Operate Trigger on torch, machine will work for 1 second, and then stop until trigger is operated again.  
 Select '=' Operate Trigger on torch, machine will work for 1.5 second, and then stop until trigger is operated again. Select '0' Operate Trigger on torch, machine will work continuously.
- F) Torch
- G) Main Power Switch (situated on back panel).



**3.2. DESCRIPTION OF TORCH HEAD**

- 1. Induction Block  
 Use induction block to help remove dents, heat in various positions around dent. Use time control mode heating time 1 s **DO NOT** heat the same point as over heating may damage vehicle paint (fig.2).
- 2. Direct Coil Ø28mm
- 3. Direct Coil Ø20mm
- 4. Side Coil Ø28mm
- 5. Side Coil Ø20mm  
 Use Direct Coil/Side Coil to heat nuts/bolts, screws etc. (fig.3). Keep gap of 3/4mm between coil and object being heated **DO NOT** reuse bolts as heat may have effected the physical properties of the bolt.
- 6. Pad Coil Ø55mm  
 Use Pad coil for heating of sheet steel to assist with the removal of decals, stickers, sealants/putties, use the coil approximately 5mm away from the surface of the steel sheet (fig.4).
- ❑ **WARNING!** Over heating will damage painted surfaces. No liability will be accepted for damage caused by improper use.
- 7. Flex Coil 920mm  
 Use Flex coil when it is not possible to use direct coils due to space, or position of object to be heated. Can be used on exhaust pipes and suspension parts, by wrapping the coil around the part before connecting to the torch.



#### 4. OPERATION

- ❑ **WARNING!** If the user has some metal on their person such as coins, jewellery or surgical implants etc. They must avoid the metal item getting close to the heater torch or torch head, to avoid damage by induction heating.
- 4.1. Connect the torch to the two output connections on the control panel (fig.1C/D).
- 4.2. Plug into mains supply.
- 4.3. Select the required torch head and slide into the end of the handle at required angle and tighten the holding screws.
- 4.4. Select the desired timing function if required (see section 3.1), place coil over fixing or panel to be heated and switch on the machine. Operate the trigger and the fixing/panel will get hot.
- 4.5. The machine has a protection circuit installed to prevent overload in terms of voltage, current and heat. If the pre set values are exceeded the machine will stop working automatically, until the condition of the machine reverts to normal.
- 4.6. The machine is fitted with a fan to keep it cool, ensure that the vents are not covered and there is adequate ventilation. Allow at least 0.3m of free space around the machine.
- ✖ **DO NOT** over load the heater. **DO NOT** exceed the Duty-cycle (see section 3), excess current will damage the heater.
- 4.7. If the duty cycle is exceeded the heater will stop working for its own protection. The red light will be lit, **DO NOT** switch heater off or remove plug from socket as the internal fan will continue to run and cool the heater down. When the red light turns off heating can continue.

#### 5. MAINTENANCE

- ❑ **WARNING!** Before maintenance and any repair, the power supply must be turned off and the plug removed from the socket.
- 5.1. Remove dust by using clean dry compressed air regularly, if operating in a dusty environment this should be done on a daily basis.
- 5.2. Check cables, torch and torch heads for any sign of damage, if any part of the heater is damaged replace or repair. If in doubt contact a qualified electrician.
- 5.3. Avoid water and steam entering the machine, if this happens disconnect from power source and allow to dry, **DO NOT** use unless it has been checked by a qualified electrician.
- 5.4. If not in use the machine and attachments should be stored in a dry, childproof area.



#### ENVIRONMENT PROTECTION

Recycle unwanted materials instead of disposing of them as waste. All tools, accessories and packaging should be sorted, taken to a recycling centre and disposed of in a manner which is compatible with the environment. When the product becomes completely unserviceable and requires disposal, drain any fluids (if applicable) into approved containers and dispose of the product and fluids according to local regulations.



REGISTER YOUR PURCHASE HERE



#### WEEE REGULATIONS

Dispose of this product at the end of its working life in compliance with the EU Directive on Waste Electrical and Electronic Equipment (WEEE). When the product is no longer required, it must be disposed of in an environmentally protective way. Contact your local solid waste authority for recycling information.

**Note:** It is our policy to continually improve products and as such we reserve the right to alter data, specifications and component parts without prior notice. Important: No Liability is accepted for incorrect use of this product. Please note that other versions of this product are available. If you require documentation for alternative versions, please email or call our technical team on [technical@sealey.co.uk](mailto:technical@sealey.co.uk) or 01284 757505.

**Warranty:** Guarantee is 12 months from purchase date, proof of which is required for any claim.

Sealey Group, Kempson Way, Suffolk Business Park, Bury St Edmunds, Suffolk. IP32 7AR



01284 757500



[sales@sealey.co.uk](mailto:sales@sealey.co.uk)



[www.sealey.co.uk](http://www.sealey.co.uk)